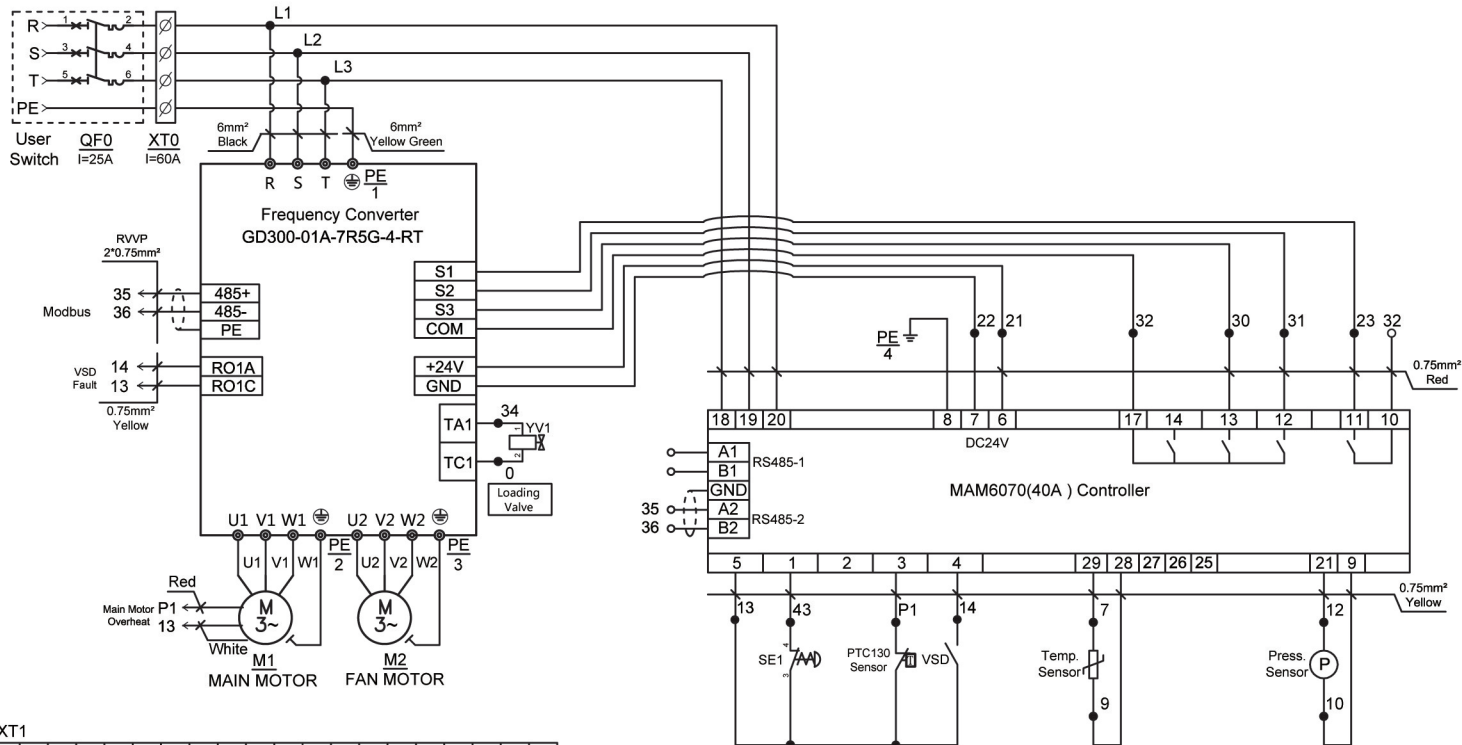


# Schéma électrique NPM-75 G2

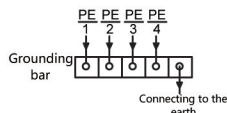
Main Power	Main Motor		Phase Sequence		DC24V Power			Loading Valve	Fan Motor	VSD Run
------------	------------	--	----------------	--	-------------	--	--	---------------	-----------	---------



XT1

P1	13	14	13	21	22	PE	32	23	31	30	32	L3	L2	L1	10	12	9	7
Main Motor Overheat	VSD Fault	AC20V		VSD Run	Fan Motor	Loading Valve			Phase Sequence	Discharge Pressure	Discharge Temperature							

Symbol	Description
QF0	Circuit breaker (Install by user)
XT0	Terminal block for Main Power cable
SE1	Emergency stop button
YV1	Solenoid valve



NO.EM39075310002  
EM39075310003