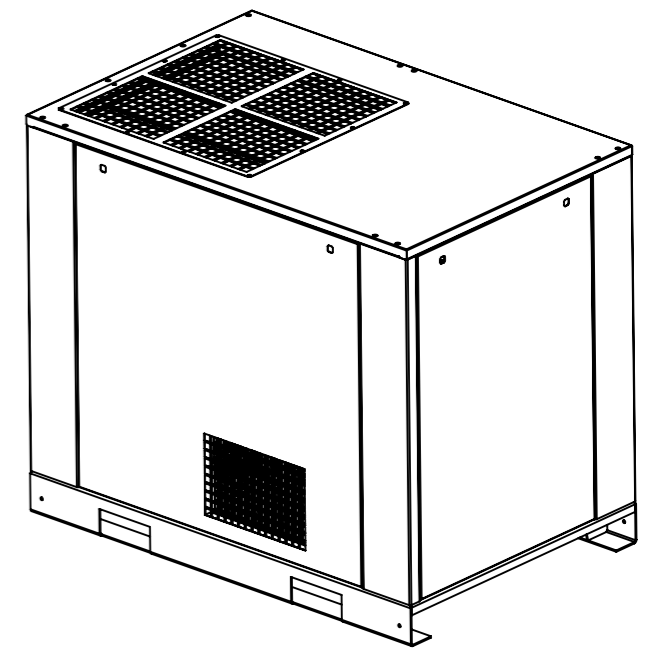
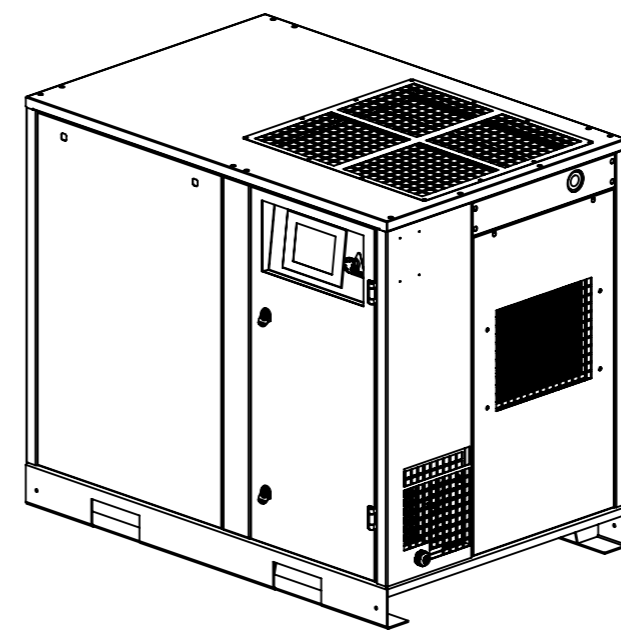
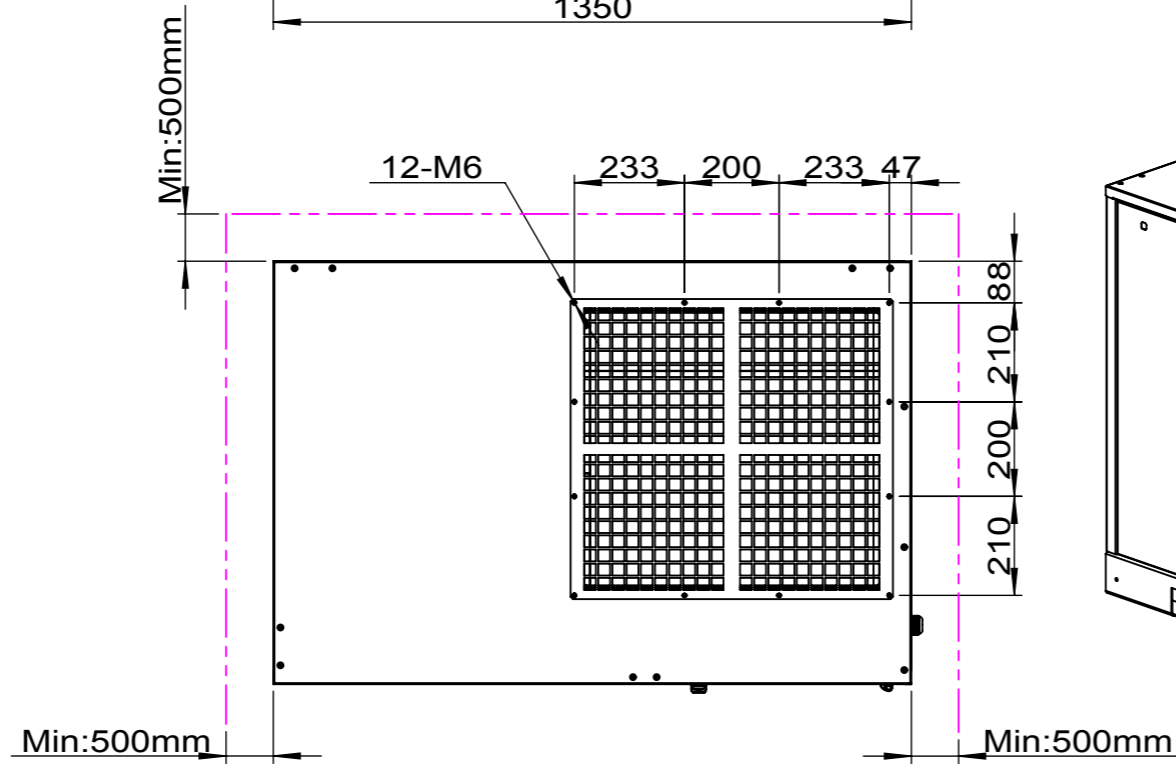
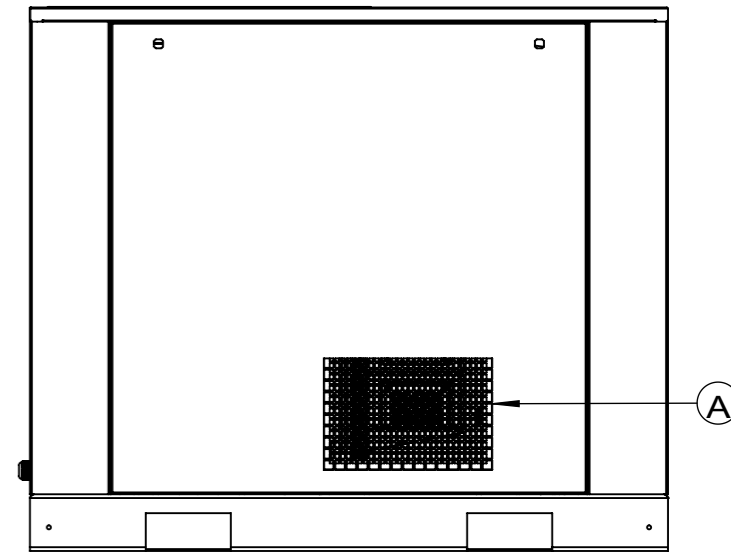
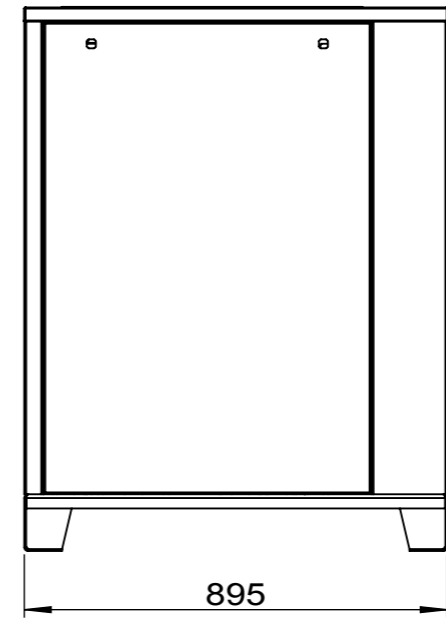
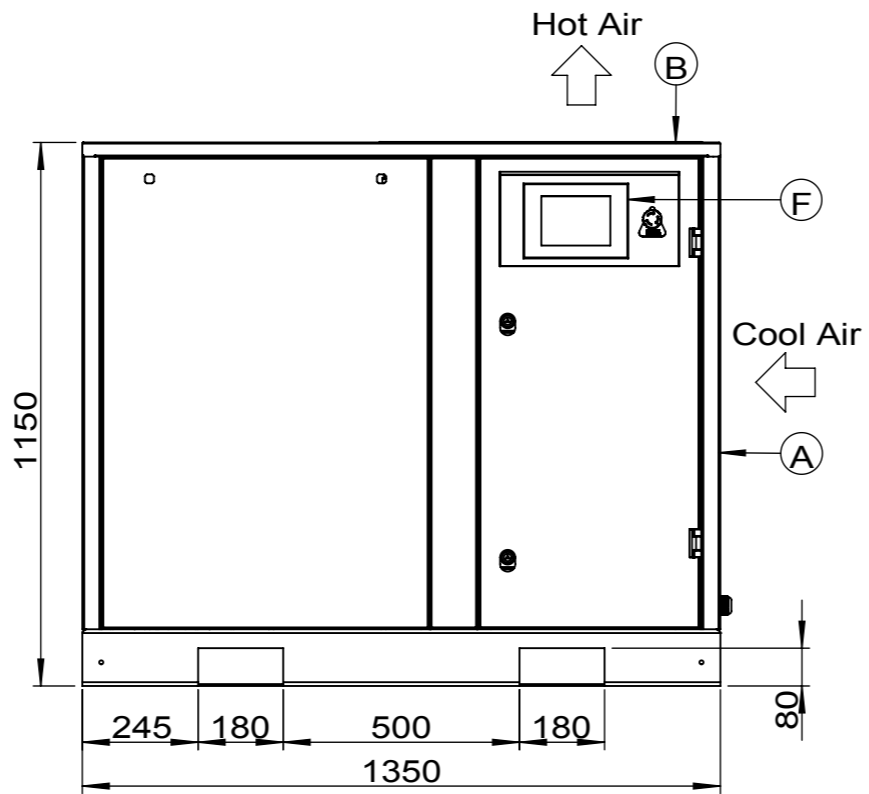
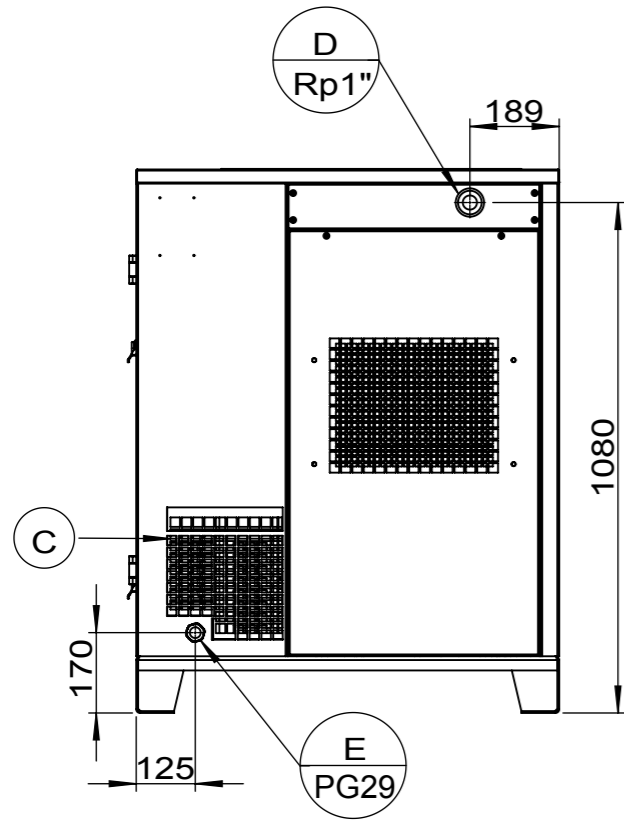


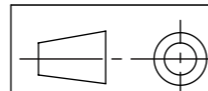
F
E
D
C
B
A

8 7 6 5 4 3 2 1



- A) Cool Air inlet
- B) Hot Air Ventilation
- C) Switch-gear Ventilation
- D) Air Outlet
- E) Power cable inlet
- F) Operating Panel

					Référence					Produit				
					DD-220					ELAN				
Mark	QTY	File No.	Sign	Date	Trail	Product	QTY	Weight	Scale					
Designer			Versions											
Controller			Judgement											
Check			Date											



8 7 6 5 4 3 2 1