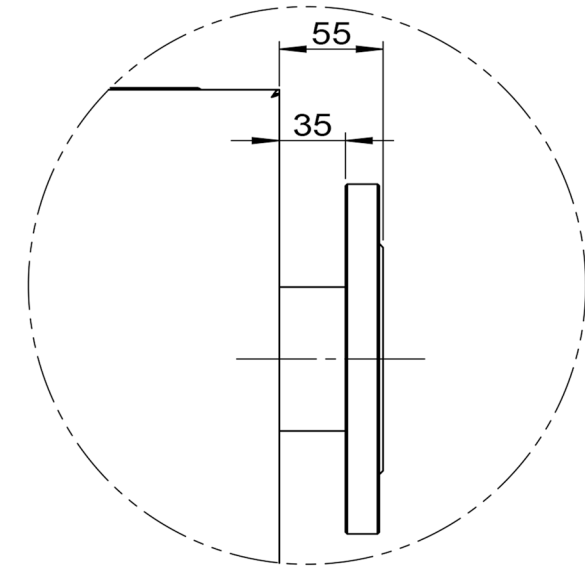
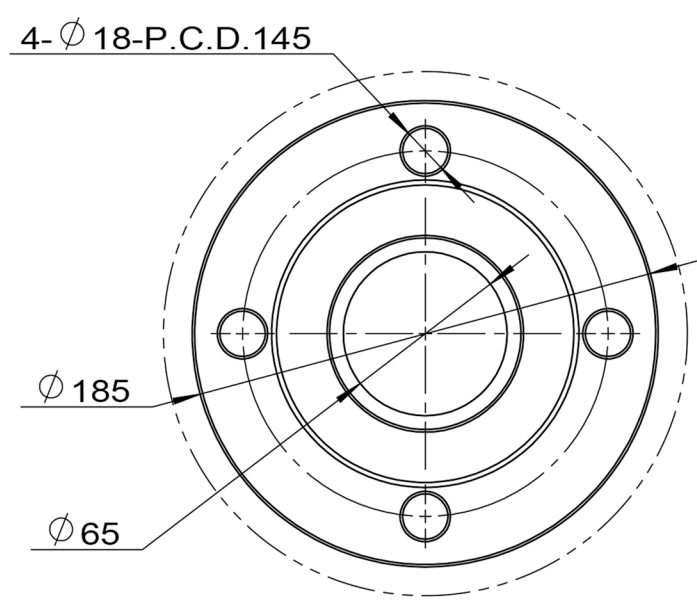

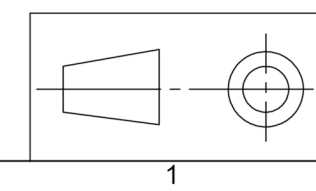


- A) Cool Air inlet
- B) Hot Air Ventilation
- C) Air Discharge
- D) Cable Entrance



Discharge airport flange detail

						Model				Product code	
						VPM 1100 B				MISTRAL RANGE	
										Material	
Mark	QTY	File No.	sign	Date	Trial	Product	QTY	Weight	Scale		
Design by		Versions	00								
Checked by		Judgement									
Approved		Date	11/21								



1 1