



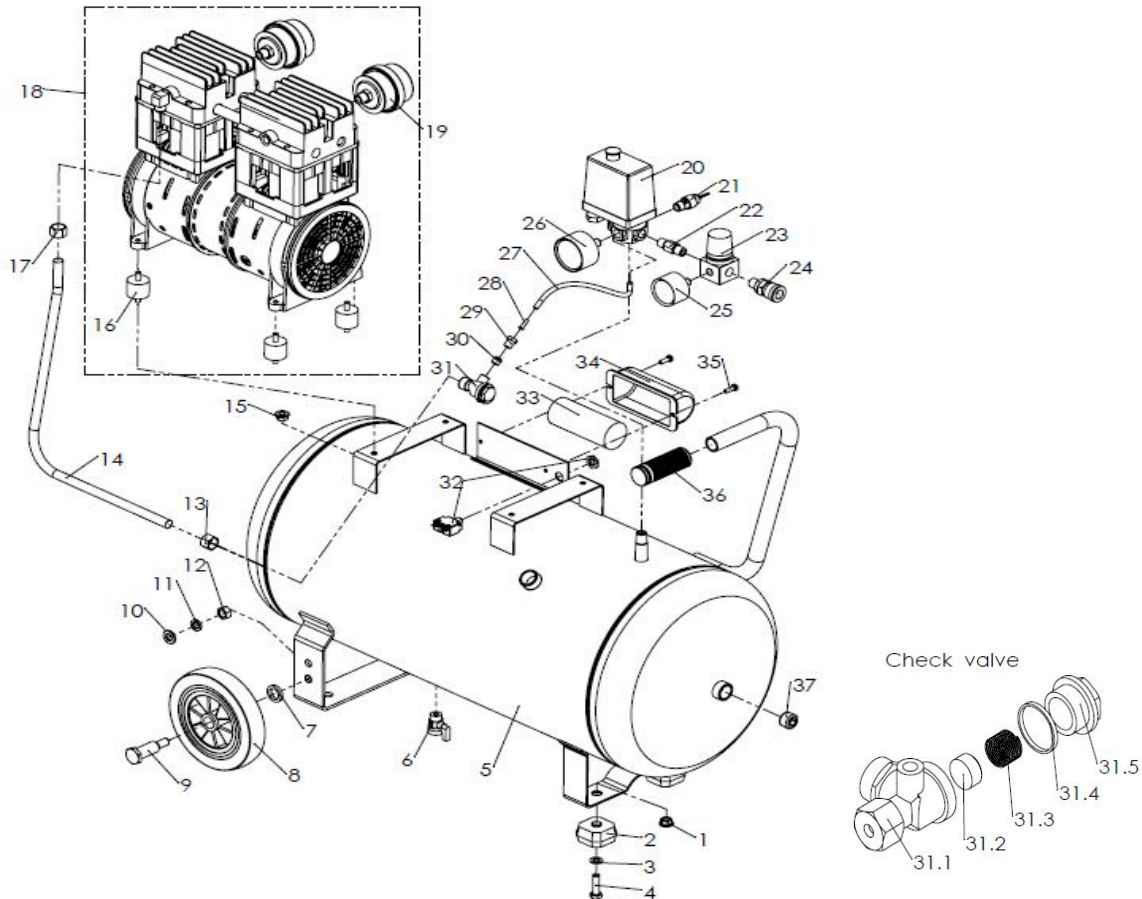
GAMME OFP

Modèle: OFP 1500 / 50L

Code :8391BEM015301

Date: Sep. 2023

Version: 00



No.	Q.ty	Part no.	Part Name
1	2	321N600800003	Hex.Nut
2	2	070FU10450450	Rubber Foot
3	2	3350816000000	Plate washer
4	2	320N000802570	Hex.Bolt
5	1	5511WW0050006	Air Tank
6	1	267DN01021CU0	Drain ball Valve
7	2	3460170000000	Washer
8	2	7840A01601450	Wheel
9	2	320NJ01006070	Axle
10	2	3351020000000	PL.Washer
11	2	3490100000000	SP.Washer
12	2	321N001000002	Hex.Nut
13	1	3101010050000_1	Nut, Tuve
14	1	3101010050000	Metallic Hose Ass'Y
15	4	321N600800003	Hex.Nut
16	4	071AFU0000007	Crash roll
17	1	3101010050000_2	Nut, Tuve
18	1	20701531CU001	Pump

No.	Q.ty	Part no.	Part Name
19	2	2460FEZX00002	Air Filter Ass'y
20	1	1003060080005	Pressure switch
21	1	260DN00808010	Safety valve
22	1	30006FE008002	Nipple
23	1	261DN00800700	Pressure Regulator
24	1	30701FE008016	Quick coupler
25	1	3540040PL0000	Pressure Gauge
26	1	3540050PL0000	Pressure Gauge
27	1	314BK00601900	Discharge tube
28	1	3360600000000	Bushing,Rilsan Tube
29	1	325CU00600000	Sleeve Lock Nut
30	1	324CU00600000	Sleeve
31	1	26521DN015CU0	Check Valve Ass'y
31.1	1	26521DN015CU0_2	valve body
31.2	1	26501DN015003	valve element
31.3	1	3301400200000	Spring
31.4	1	3381900160000	O-ring
31.5	1	26521DN015CU0_1	Bonnet
32	1	1290010000001	Overload Protector
33	1	1500035450000	Capacitor
34	1	1511PL0000001	Capacitance box
35	2	320N6005010F0	Hex.Bolt
36	1	0850020000001	Handle Grip
37	2	3232DN0150001	Plug,Socket head