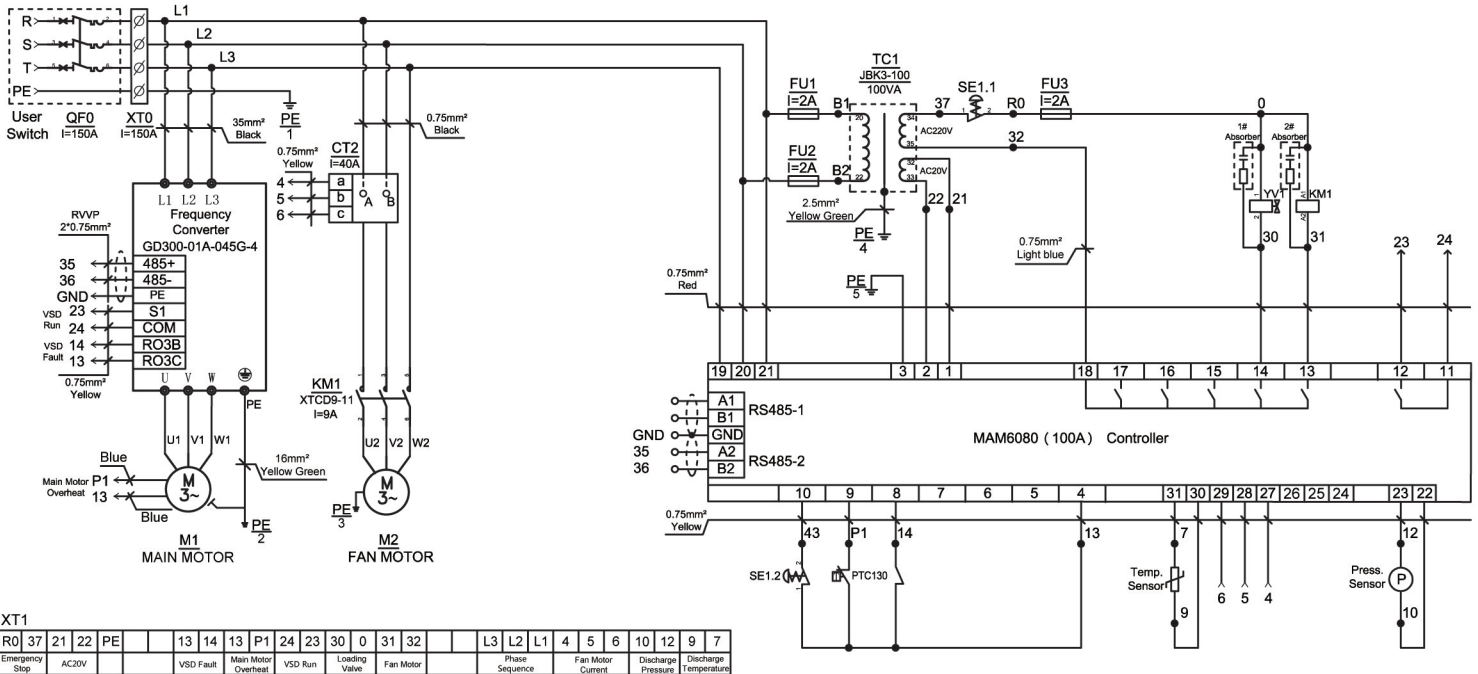


Schéma électrique VPM-450 G2

Main Power	Main Motor	Fan Motor			Phase Sequence	Control Supply				Loading Valve	Fan Motor	VSD Run
------------	------------	-----------	--	--	----------------	----------------	--	--	--	---------------	-----------	---------



XT1

R0	37	21	22	PE			13	14	13	P1	24	23	30	0	31	32			L3	L2	L1	4	5	6	10	12	9	7
Emergency Stop	AC20V						VSD Fault			Main Motor Overheat		VSD Run		Loading Valve		Fan Motor			Phase Sequence						Fan Motor Current		Discharge Pressure	Discharge Temperature

Symbol	Description
QF0	Circuit breaker (Install by user)
XT0	Terminal block for Main Power cable
FU1&FU2	Fuse for main circuit
FU3	Fuse for control circuit
KM1	Contactor for fan motor
CT2	Current transformer for fan motor
TC1	Transformer for control power
SE1	Emergency stop button
YV1	Solenoid valve

Emergency Stop	Main Motor Overheat	VSD Fault								Discharge Temperature	Fan Motor Current	Discharge Pressure
----------------	---------------------	-----------	--	--	--	--	--	--	--	-----------------------	-------------------	--------------------

