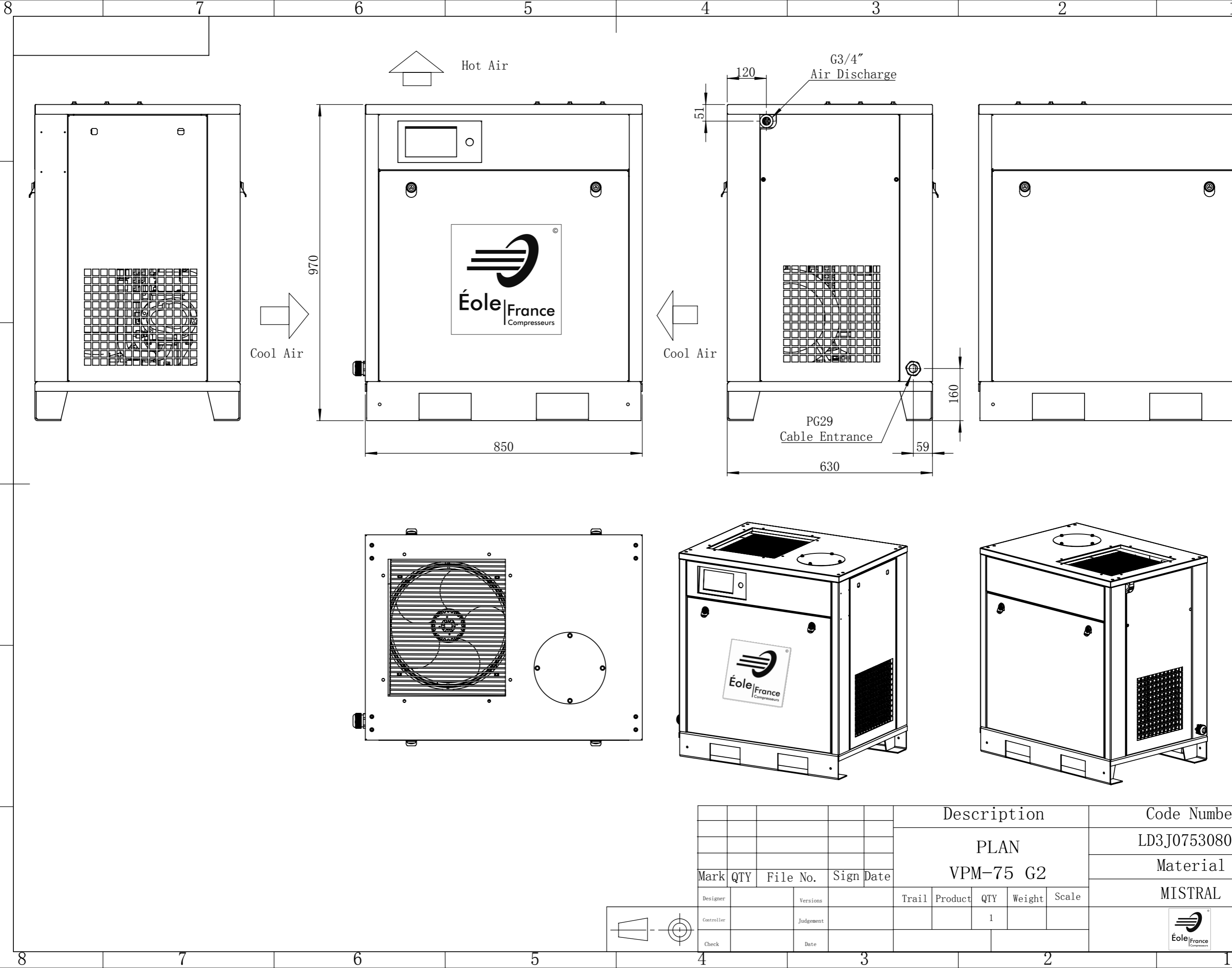


F  
E  
D  
C  
B  
A



					Description					Code Number	
					PLAN					LD3J075308001	
					VPM-75 G2					Material	
										MISTRAL	
Mark	QTY	File No.	Sign	Date	Trail	Product	QTY	Weight	Scale		
Designer			Versions								
Controller			Judgement				1				
Check			Date								

