

F

E

D

C

B

A

F

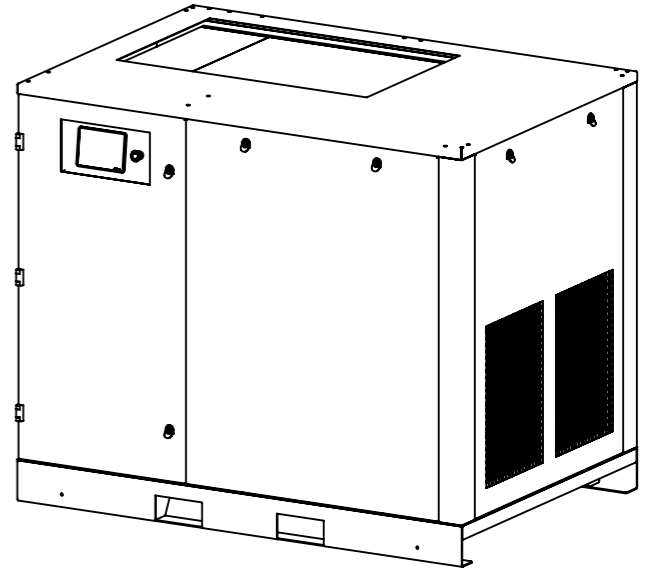
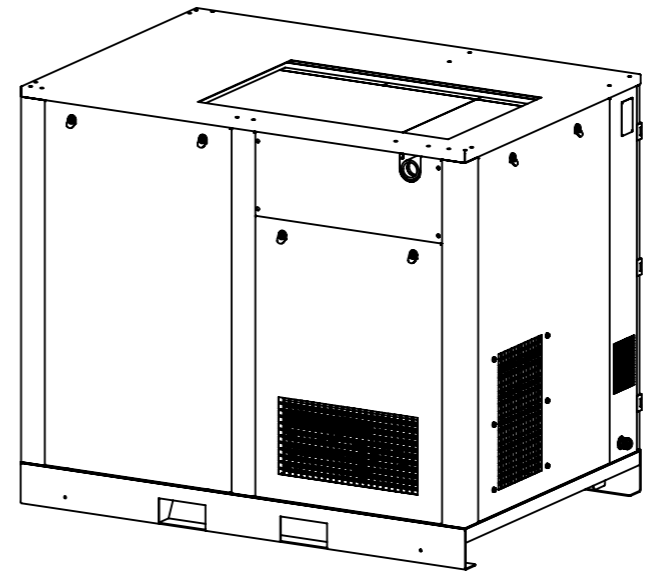
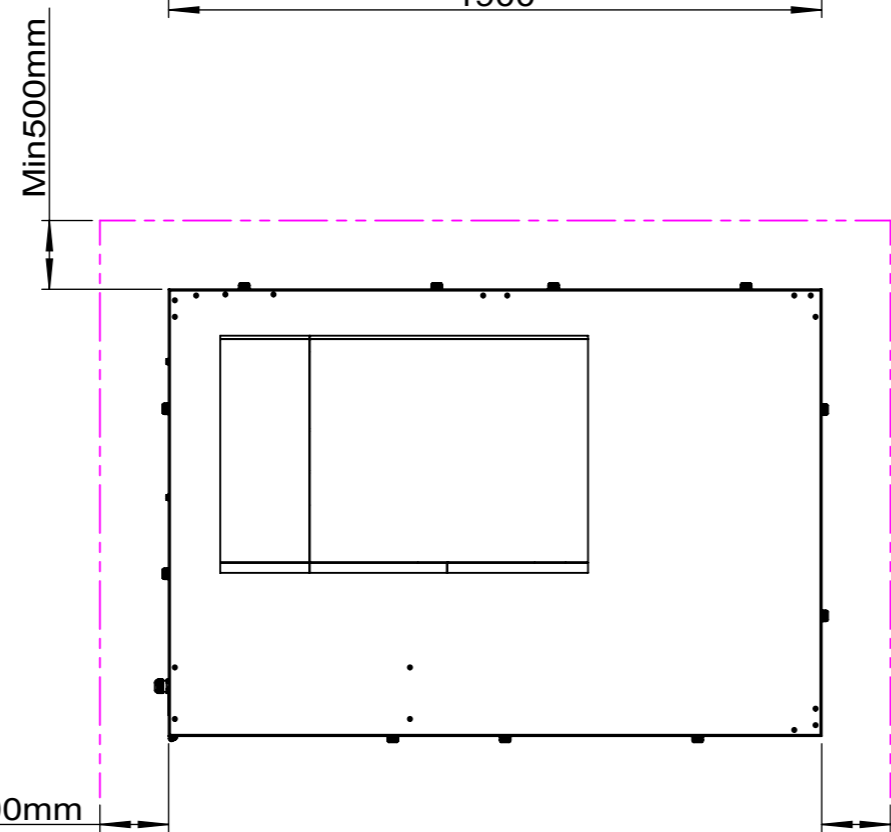
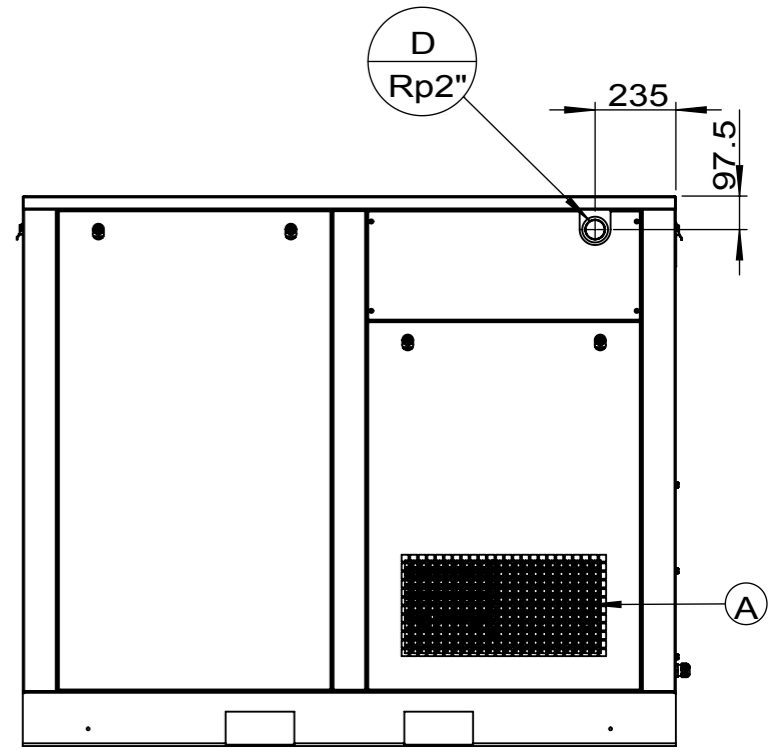
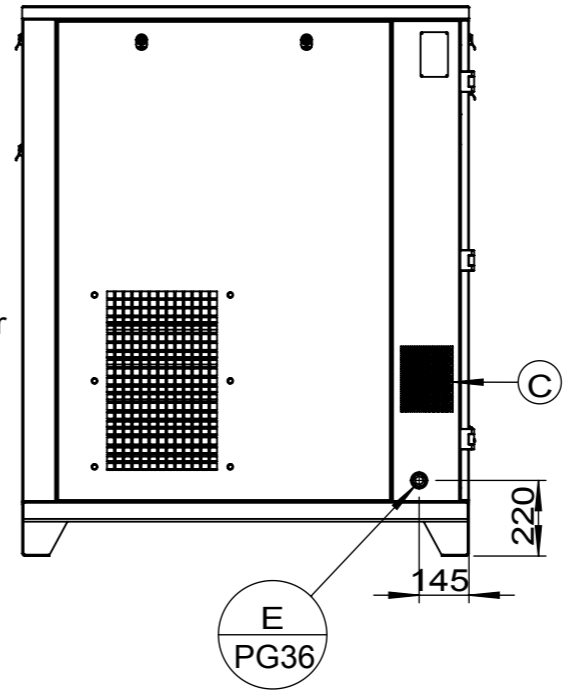
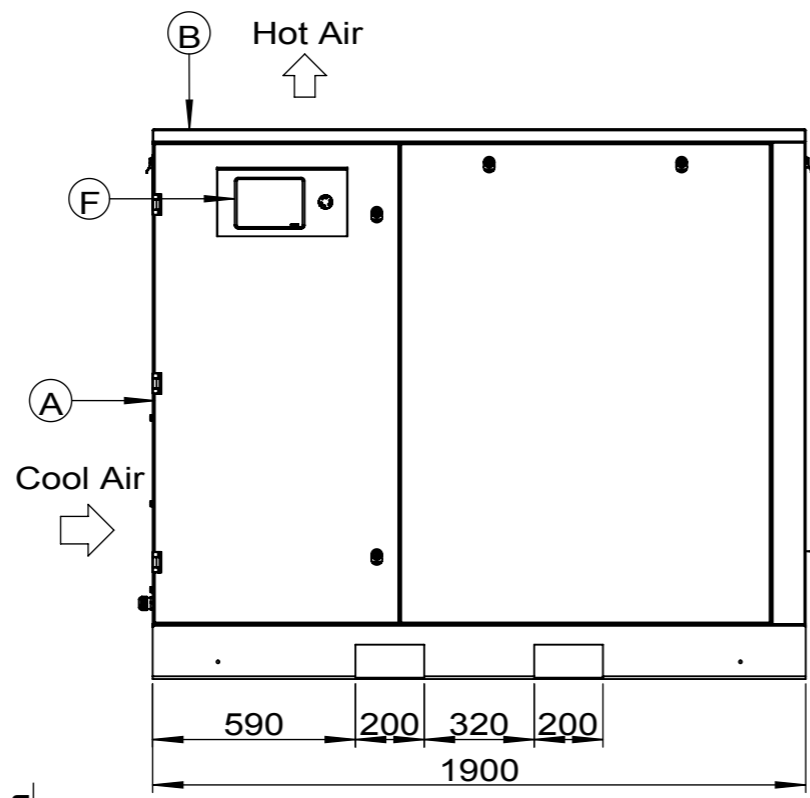
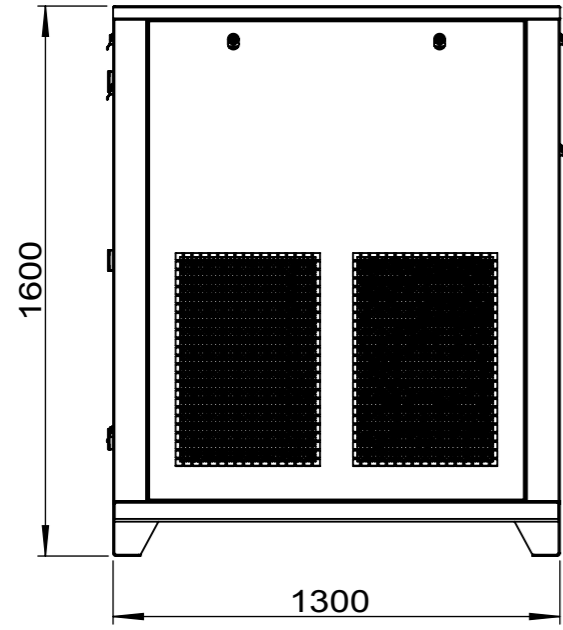
E

D


C

B

A



- A) Cool Air inlet
- B) Hot Air Ventilation
- C) Switch-gear Ventilation
- D) Air Outlet
- E) Power cable inlet
- F) Operating Panel

					Description					Code Number	
					VPM-550 G2						
Mark	QTY	File No.	Sign	Date							
Designer		Versions			Trail	Product	QTY	Weight	Scale		
Controller		Judgement									
Check		Date									

