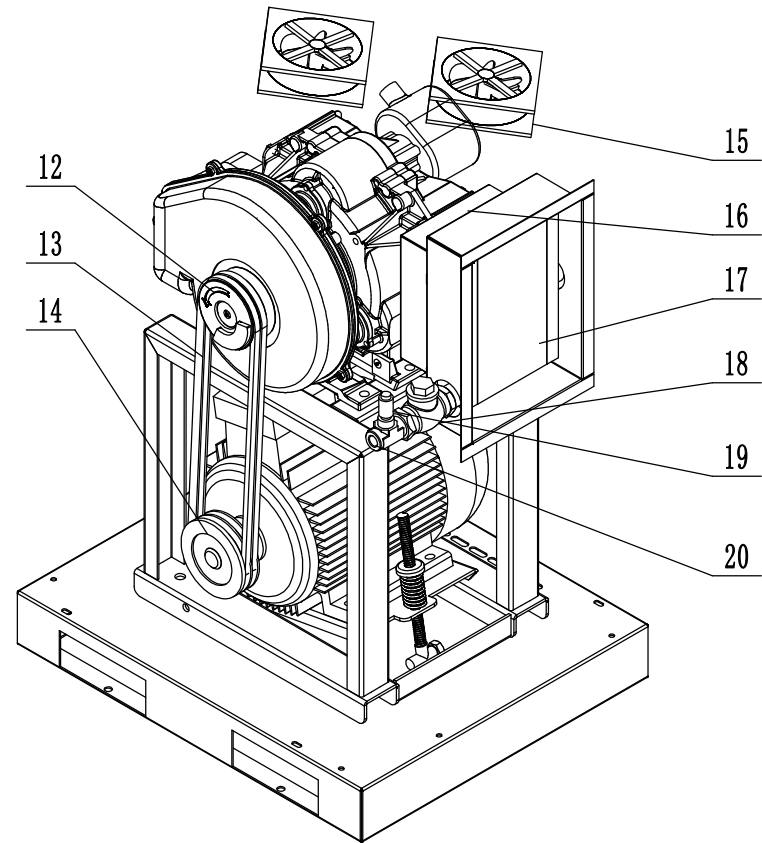
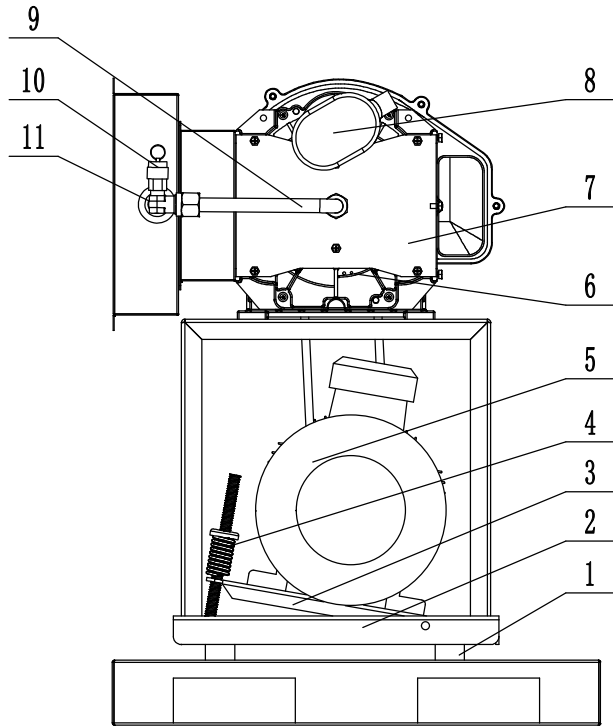


GAMME RUBIS
 OFL 37 G2
 série 2023



Model Specifications

Model	3.7KW	3.7KW	
Pressure(bar)	8	10	
Rotation speed (rpm)	3050	3000	
Air flow (l/min)	402	340	
Discharge temperature (°C)	167	186.4	
Ambient temperature (°C)	32	27.1	
Electric Current (A)	8.56	9.39	
Power (KW)	4.5	4.97	
Vibration	Vertical	6.5	4.2
	Axial	4.6	3.1
	Horizontal	6.7	5.4